

# Y FILTER 653-654-655 SERIES

DATA SHEET

   
EN IT





**FEATURES**  
**/ CARATTERISTICHE**

Female / female threaded connections and inspection cap.

Brass body.

Minimum and maximum working temperatures: -20° C / 110° C  
(in the absence of steam).

Filtration degree: from 1/4 "to 2" 500µm; 2 "1/2 800µm,

ISO228 threaded connections

(Equivalent to DIN EN ISO 228 and BS EN ISO 228).

SUITABLE FOR USE IN PLUMBING, HEATING, AIR CONDITIONING  
AND COMPRESSED AIR SYSTEMS

/ Attacchi filettati femmina/femmina e tappo d'ispezione.

Corpo in ottone.

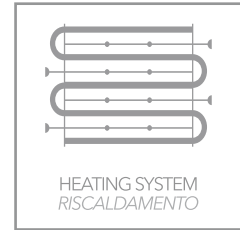
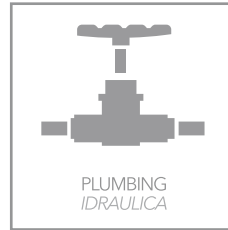
Temperature minima e massima di esercizio: -20° C / 110° C  
(in assenza di vapore).

Grado di filtrazione: da 1/4" a 2" 500µm; 2"1/2 800µm,

Attacchi filettati ISO228

(Equivalente a DIN EN ISO 228 e BS EN ISO 228).

ADATTE ALL'IMPIEGO IN IMPIANTI IDRAULICI, DI RISCALDAMENTO,  
DI CONDIZIONAMENTO E ARIA COMPRESSA.





### 653

Filtration degree 500 µm / Grado filtrazione 500 µm

SIZE	PRESSURE	TECH. CODE
3/8" (DN110)	20 bar / 290 psl	VA0653003000
1/2" (DN15)	20 bar / 290 psl	VA0653005000
3/4" (DN20)	20 bar / 290 psl	VA0653007000
1" (DN 25)	20 bar / 290 psl	VA0653010000
1" ¼ (DN32)	20 bar / 290 psl	VA0653012000
1" ½ (DN 40)	20 bar / 290 psl	VA0653015000
2" (DN 50)	20 bar / 290 psl	VA0653020000
2 ½" (DN65)	16 bar / 232 psl	VA0653025000

### 653 NICKEL PLATED / NICHELATO

Filtration degree 500 µm / Grado filtrazione 500 µm

SIZE	PRESSURE	TECH. CODE
1/2" (DN15)	20 bar / 290 psl	VA065300500N
3/4" (DN20)	20 bar / 290 psl	VA065300700N
1" (DN 25)	20 bar / 290 psl	VA065301000N



### 654 NICKEL PLATED / NICHELATO

Filtration degree 300 µm / Grado filtrazione 300 µm

SIZE	PRESSURE	TECH. CODE
1/2" (DN15)	20 bar / 290 psl	VA065400500N
3/4" (DN20)	20 bar / 290 psl	VA065400700N
1" (DN 25)	20 bar / 290 psl	VA065401000N

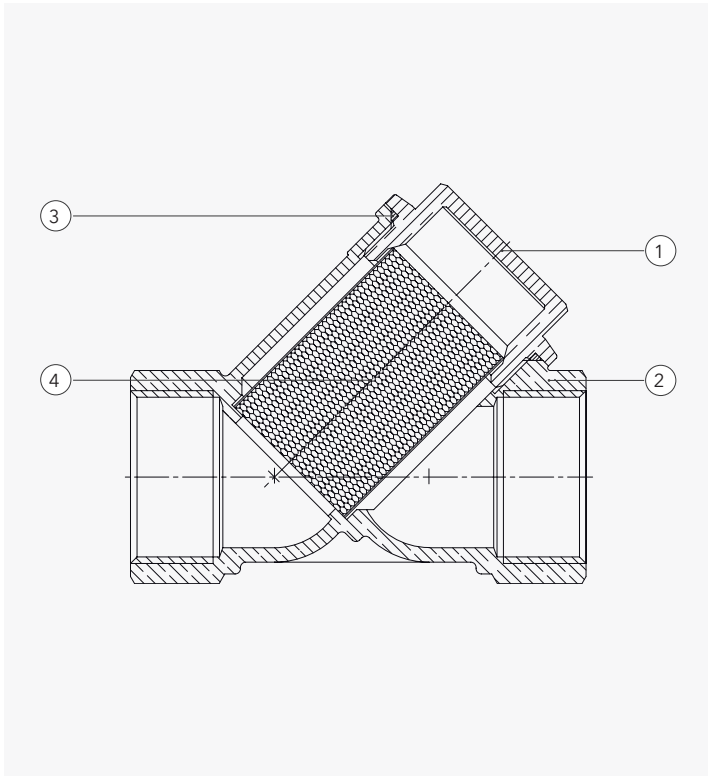
### 655 NICKEL PLATED / NICHELATO

Filtration degree 50 µm / Grado filtrazione 50 µm

SIZE	PRESSURE	TECH. CODE
1/2" (DN15)	20 bar / 290 psl	VA065500500N
3/4" (DN20)	20 bar / 290 psl	VA065500700N
1" (DN 25)	20 bar / 290 psl	VA065501000N

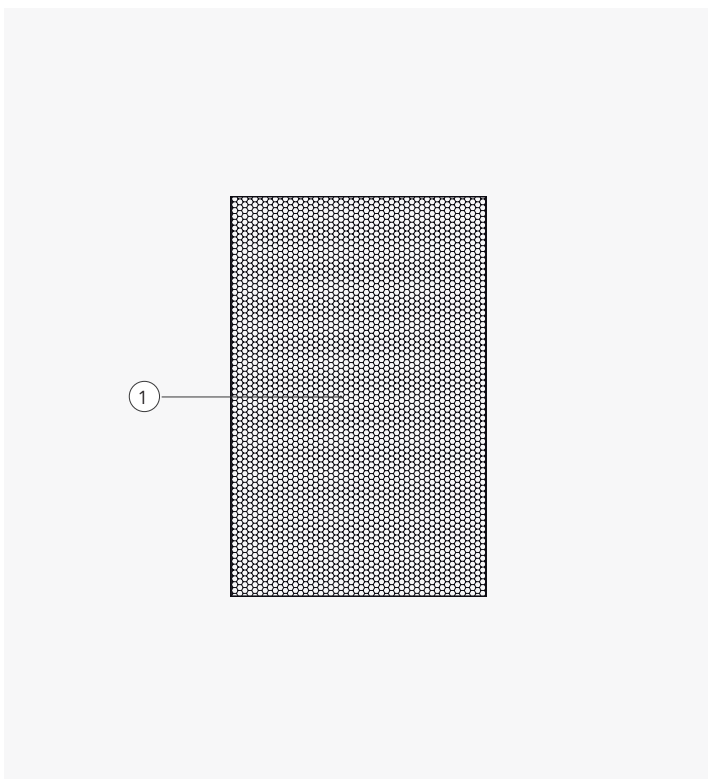


**MATERIALS  
/ MATERIALI**



COMPONENT / COMPONENTE	MATERIAL / MATERIALE
1. Coupling / manicotto	BRASS / OTTONE CW617N
2. Body / corpo	BRASS / OTTONE CW617N BRASS / OTTONE CB753S*
3. Gaskets / guarnizioni	NBR
4. Filter / Filtro	STAINLESS STEEL / ACCIAIO INOX AISI 304

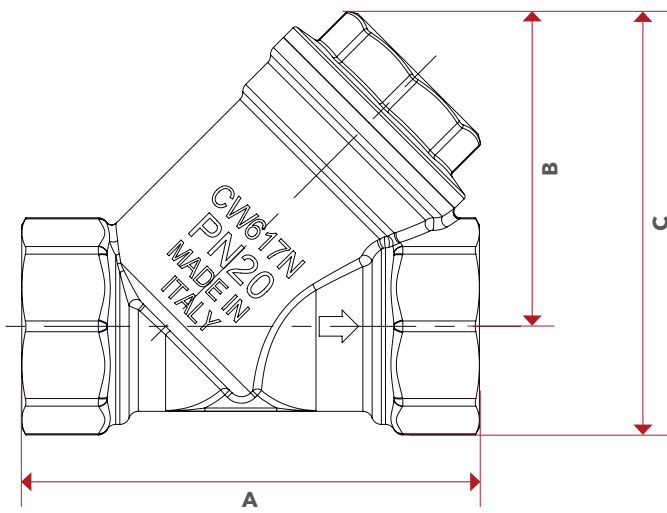
\* only for 2 1/2" size / solo per misura 2 1/2"



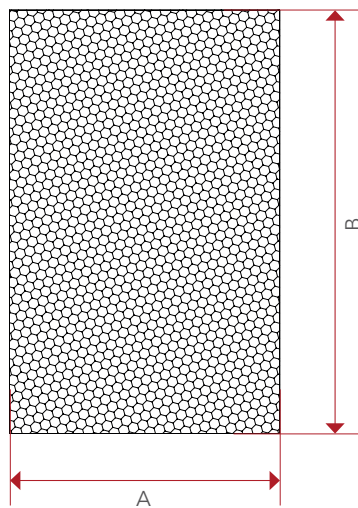
COMPONENT / COMPONENTE	MATERIAL / MATERIALE
1. Filter cartridge / cartuccia filtrante	STAINLESS STEEL / ACCIAIO INOX AISI 304



**DIMENSIONS  
/ DIMENSIONI**



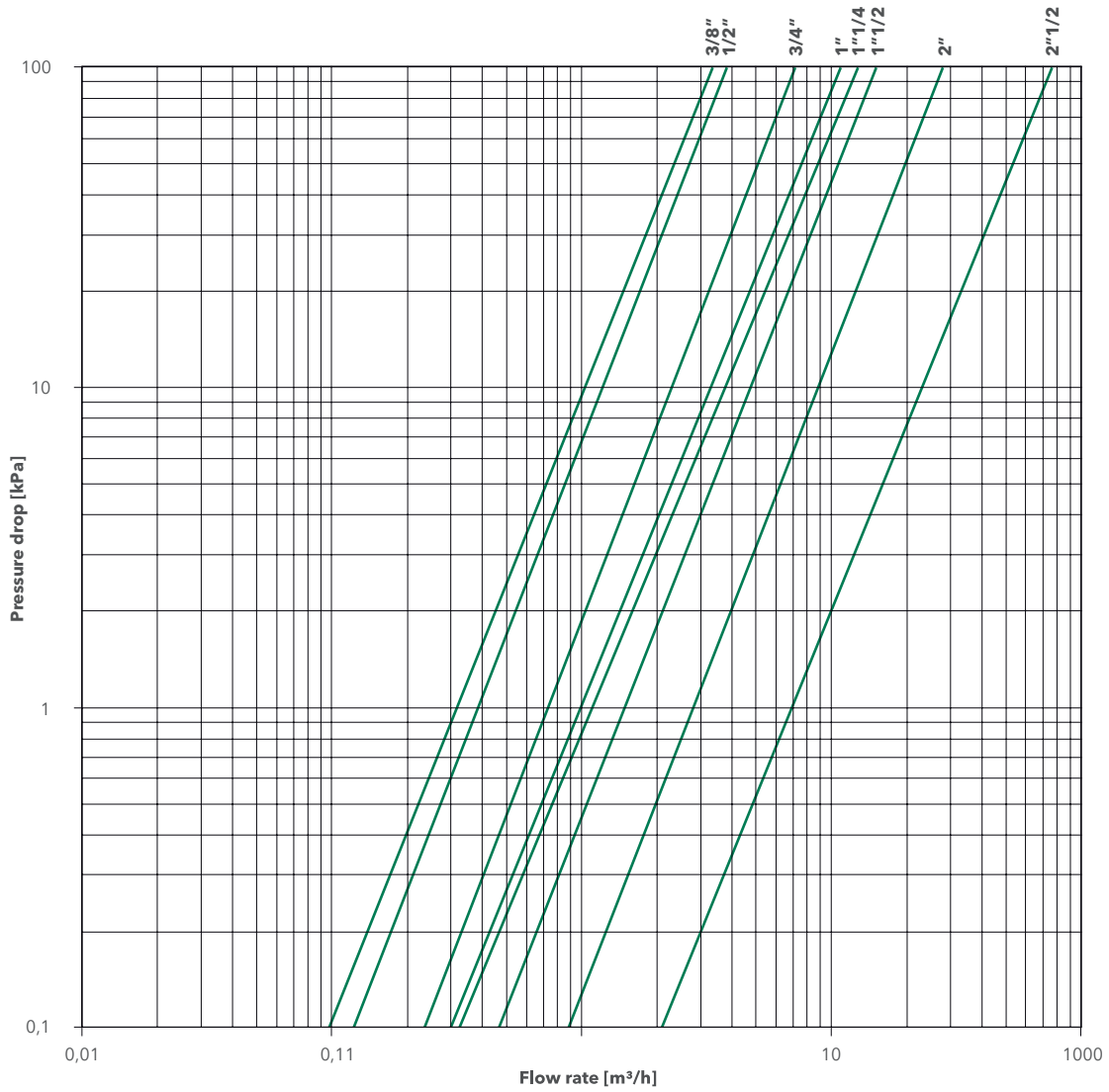
SIZE	DN	A [mm]	B [mm]	C [mm]	Kg/cm <sup>2</sup> bar	LBS - psi
3/8"	10	55	40	51.5	20	290
1/2"	15	58	40	53.25	20	290
3/4"	20	70	48	64.6	20	290
1"	25	87	56	76.35	20	290
1 1/4"	32	96	64	87.7	20	290
1 1/2"	40	106	73	100	20	290
2"	50	126	88.5	122	20	290
2 1/2"	65	150	105	147.5	16	232



SIZE	DN	A [mm]	B [mm]
3/8"	10	18	32
1/2"	15	18	32
3/4"	20	24	41
1"	25	30	47
1 1/4"	32	36	50
1 1/2"	40	42	57
2"	50	53	70
2 1/2"	65	63	83.5



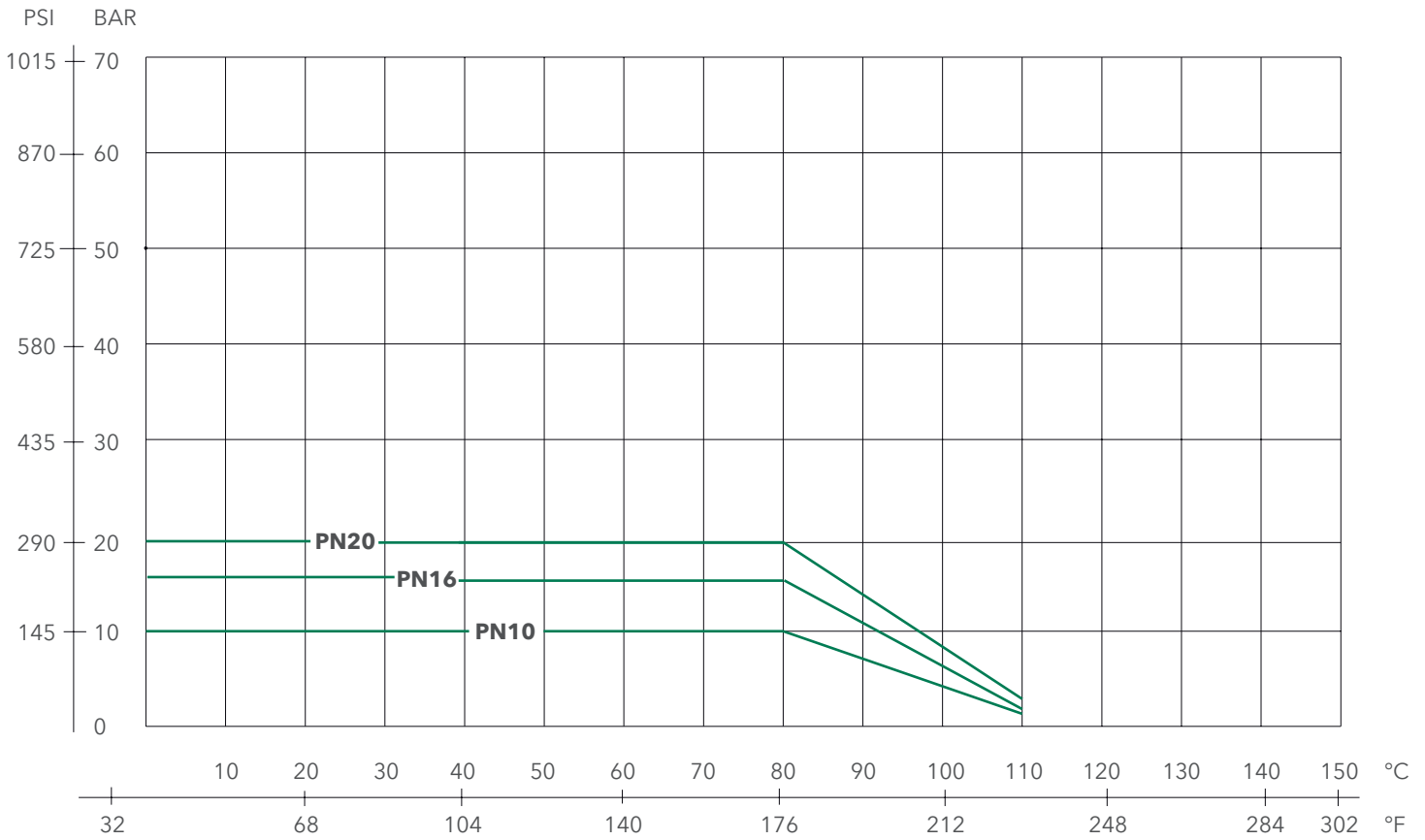
**PRESSURE DROP DIAGRAM  
/ DIAGRAMMA DI PERDITE DI CARICO**



SIZE	Kv
3/8"	3.40
1/2"	3.80
3/4"	7.20
1"	11
1 1/4"	13
1 1/2"	15
2"	28
2 1/2"	77



**PRESSURE AND TEMPERATURE DIAGRAM  
/ DIAGRAMMA PRESSIONE TEMPERATURA**



The values expressed by the curves represent the maximum limit of use of the valves.  
The values shown are for guidance only.

/ I valori espressi dalle curve rappresentano il limite massimo di impiego delle valvole.  
I valori riportati sono a titolo orientativo.

**COMISA**



[WWW.COMISA.IT](http://WWW.COMISA.IT)